

TPA series

Wheels with thermoplastic rubber tread, with polypropylene wheel centre

100–250 kg

Tread and tyre hardness

85 Shore A

Smooth operation / floor preservation

good

Rolling resistance

very good

Wear resistance

satisfactory



3

Tread:

- high-quality thermoplastic rubber-elastomer (TPE), hardness 85 Shore A
- low rolling and swivel resistance
- colour grey, non-marking
- chemically-bonded inseparable connection with the wheel centre

Wheel centre:

- high-quality polypropylene, impact resistant
- colour silver grey ("ELS" version colour black)

Other features:

- KF version: with synthetic thread guard, large
- very high chemical resistance to many aggressive substances
- operating temperature: -20 °C to +60 °C, reduced load capacity over +30 °C
- tread contains oil, may stain sensitive surfaces. alternatives: series VPP, POES, POEV

Additional details:

- wheel series: page 60
- tread: page 52
- bearing types: page 84–85
- chemical resistance: page 51

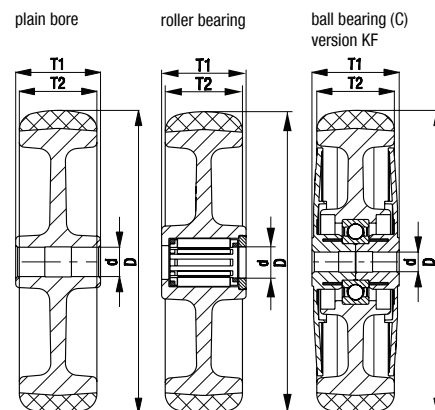
Wheels	Wheel Ø (D) [mm]	Tyre width (T2) [mm]	Load capacity [kg]	Bearing type	Axle bore Ø (d) [mm]	Hub length (T1) [mm]
TPA 80/12G	80	32	100	plain bore	12	35
TPA 80/8KF	80	32	100	ball bearing (C)	8	36
TPA 102/12G	100	32	110	plain bore	12	45
TPA 102/8KF	100	32	110	ball bearing (C)	8	46
TPA 127/12G	125	32	125	plain bore	12	45
TPA 127/8KF	125	32	125	ball bearing (C)	8	46
TPA 160/20G	160	40	200	plain bore	20	60
TPA 160/20R	160	40	200	roller bearing	20	60
TPA 200/20G	200	40	250	plain bore	20	60
TPA 200/20R	200	40	250	roller bearing	20	60

For other dimensions, see page 122

Versions / options *



	ball bearing version	electrically conductive version, non-marking grey	large thread guard with additional ball bearing seals
Technical description page		50	85
Product code suffix		-ELS	-KFD
Available for		all plain bore and ball bearing versions**	all ball bearing versions



* Other versions / options: stainless steel roller bearing (-XR), available for all roller bearing versions (see page 84 for technical information)

** Wheel load capacity of electrically conductive version reduced by 35%