

VSB, GB series, wheel Ø 80–200 mm

Heavy-duty wheels
with **Blickle Besthane® polyurethane tread**,
with **steel or cast iron wheel centre**



450–1,600 kg

Tread and tyre hardness
 92 Shore A

Smooth operation / floor preservation
 good

Rolling resistance
 excellent

Wear resistance
 excellent



Tread:

- high-quality polyurethane elastomer Blickle Besthane®, hardness 92 Shore A
- very low rolling resistance
- **high dynamic load capacity**
- high abrasion resistance
- high cut and tear propagation resistance
- colour brown, non-marking, non-staining
- excellent chemical connection with the wheel centre

Wheel centre:

- series VSB: steel
- series GB: rugged grey cast iron, with grease nipple from wheel Ø 150 mm, lacquered, colour silver

Other features:

- high chemical resistance to many aggressive substances
- operating temperature: -20 °C to +70 °C, temporarily up to +90 °C, reduced load capacity over +40 °C

Additional details:

- wheel series: page 67
- tread: page 56
- bearing types: page 84–85
- chemical resistance: page 51

Wheels	Wheel Ø (D) [mm]	Wheel width (T2) [mm]	Load capacity at 4 km/h [kg]	Load capacity at 10 km/h [kg]	Load capacity at 16 km/h [kg]	Bearing type	Axle bore Ø (d) [mm]	Hub length (T1) [mm]
VSB 82/20K	80	70	500	–	–	ball bearing	20	70
GB 100/15K	100	40	450	–	–	ball bearing	15	40
GB 101/20-50K	100	50	600	–	–	ball bearing	20	50
GB 101/20K	100	50	600	–	–	ball bearing	20	60
GB 125/15K	125	40	550	–	–	ball bearing	15	45
GB 128/20K	125	60	850	590	340	ball bearing	20	60
GB 140/20K	140	54	900	630	360	ball bearing	20	60
GB 150/20-50K	150	50	800	560	320	ball bearing	20	50
GB 150/20K	150	50	800	560	320	ball bearing	20	60
GB 152/20K	150	60	950	660	380	ball bearing	20	60
GB 152/25K	150	60	950	660	380	ball bearing	25	60
GB 154/25K	150	80	1,200	840	480	ball bearing	25	80
GB 160/20K	160	50	800	560	320	ball bearing	20	60
GB 160/25K	160	50	800	560	320	ball bearing	25	60
GB 180/20K	180	50	1,000	700	400	ball bearing	20	60
GB 180/25K	180	50	1,000	700	400	ball bearing	25	60
GB 182/25K	180	65	1,100	770	440	ball bearing	25	75
GB 184/25K	180	80	1,400	980	560	ball bearing	25	80
GB 200/20K	200	50	1,000	700	400	ball bearing	20	60
GB 200/25K	200	50	1,000	700	400	ball bearing	25	60
GB 201/25K	200	60	1,400	980	560	ball bearing	25	60
GB 202/25K	200	80	1,600	1,100	640	ball bearing	25	90
GB 202/30K	200	80	1,600	1,100	640	ball bearing	30	90
GB 202/35K	200	80	1,600	1,100	640	ball bearing	35	90

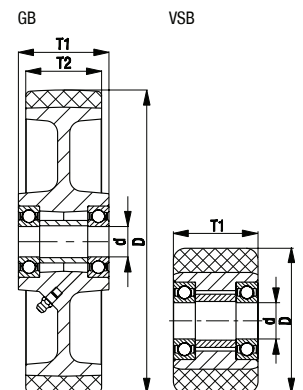
Greatly increased load capacity is possible for applications without obstacles.

For other wheel Ø, see next page

Versions / options



	hydrolysis resistant, with cast nylon wheel centre	drive wheels with hub keyway	hub fitting wheels	electrically conductive version, non-marking	other shore hardnesses and special colours
Technical description page	56	76	78	50	
Product code suffix	GSPOB series	GBN series	GBA series	-ELS	
Available for	upon request	see page 544–545	see page 552	upon request	upon request



GB series, wheel Ø 250–1,000 mm

Heavy-duty wheels
with **Blickle Besthane® polyurethane tread**,
with **cast iron wheel centre**



1,250–30,000 kg

Tread and tyre hardness
 92 Shore A

Smooth operation / floor preservation
 good

Rolling resistance
 excellent

Wear resistance
 excellent



- Tread:**
- high-quality polyurethane elastomer Blickle Besthane®, hardness 92 Shore A
 - very low rolling resistance
 - high dynamic load capacity**
 - high abrasion resistance
 - high cut and tear propagation resistance
 - colour brown, non-marking, non-staining
 - excellent chemical connection with the wheel centre

- Wheel centre:**
- rugged grey cast iron
 - with grease nipple
 - lacquered, colour silver

- Other features:**
- high chemical resistance to many aggressive substances
 - operating temperature: -20 °C to +70 °C, temporarily up to +90 °C, reduced load capacity over +40 °C

- Additional details:**
- wheel series: page 67
 - tread: page 56
 - bearing types: page 84–85
 - chemical resistance: page 51

Wheels	Wheel Ø (D) [mm]	Wheel width (T2) [mm]	Load capacity at 4 km/h [kg]	Load capacity at 10 km/h [kg]	Load capacity at 16 km/h [kg]	Bearing type	Axle bore Ø (d) [mm]	Hub length (T1) [mm]
GB 251/25K	250	50	1,250	870	500	ball bearing	25	60
GB 251/30K	250	50	1,250	870	500	ball bearing	30	60
GB 250/25K	250	60	1,500	1,050	600	ball bearing	25	70
GB 250/30K	250	60	1,500	1,050	600	ball bearing	30	70
GB 250/30K-01	250	60	1,750	1,200	700	ball bearing	30	70
GB 250/35K	250	60	1,500	1,050	600	ball bearing	35	70
GB 252/25K	250	80	1,800	1,250	720	ball bearing	25	90
GB 252/30K	250	80	2,200	1,550	880	ball bearing	30	90
GB 253/35K	250	100	2,650	1,850	1,050	ball bearing	35	100
GB 254/40K	250	130	3,150	2,200	1,250	ball bearing	40	140
GB 300/30K	300	60	1,800	1,250	720	ball bearing	30	70
GB 302/30K	300	80	2,400	1,650	960	ball bearing	30	90
GB 302/35K	300	80	2,400	1,650	960	ball bearing	35	90
GB 304/35K	300	100	3,000	2,100	1,200	ball bearing	35	120
GB 306/50K	300	140	3,700	2,600	1,500	ball bearing	50	140
GB 360/40K	360	75	2,500	1,750	1,000	ball bearing	40	90
GB 362/40K	360	80	3,000	2,100	1,200	ball bearing	40	90
GB 363/40K	360	100	3,600	2,500	1,450	ball bearing	40	100
GB 364/40K	360	120	3,800	2,650	1,500	ball bearing	40	120
GB 402/40K	400	80	3,000	2,100	1,200	ball bearing	40	90
GB 404/40K	400	100	3,800	2,650	1,500	ball bearing	40	120
GB 406/50K	400	125	5,000	3,500	2,000	ball bearing	50	125
GB 408/50K	400	150	5,700	4,000	2,250	ball bearing	50	150
GB 500/50K	500	100	5,000	3,500	2,000	ball bearing	50	100
GB 504/60K	500	150	7,500	5,250	3,000	ball bearing	60	150
GB 506/80K	500	200	10,000	7,000	4,000	ball bearing	80	200
GB 602/80K	600	150	9,000	6,300	3,600	ball bearing	80	150
GB 604/80K	600	200	12,000	8,400	4,800	ball bearing	80	200
GB 750/120K	750	200	15,000	10,500	6,000	ball bearing	120	200
GB 1000/160PR	1,000	300	30,000	21,000	12,000	spherical roller bearing	160	330

Greatly increased load capacity is possible for applications without obstacles.
Other dimensions available upon request

Versions / options



	hydrolysis resistant, with cast nylon wheel centre	drive wheels with hub keyway	hub fitting wheels	electrically conductive version, non-marking	other shore hardnesses and special colours
Technical description page	56	76	78	50	
Product code suffix	GSP0B series	GBN series	GBA series	-ELS	
Available for	upon request	see page 544–545	see page 552	up to wheel Ø 300 mm upon request	upon request

