

POEV series (wheel Ø 160–300 mm)

Heavy-duty wheels with elastic solid rubber tyre “Blickle EasyRoll”, with nylon wheel centre

320–650 kg

Tread and tyre hardness

65 Shore A

Smooth operation / floor preservation

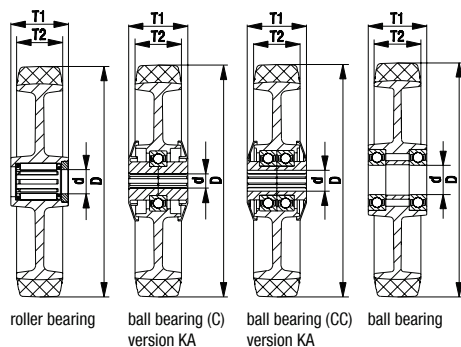
very good

Rolling resistance

very good

Wear resistance

good



Blickle
EasyRoll

3

Tyre:

- high-quality elastic solid rubber “Blickle EasyRoll” in smooth rolling quality, hardness 65 Shore A
- very good operational comfort
- very good floor preservation, low-noise operation
- low rolling resistance
- colour black
- vulcanised onto the wheel centre

Wheel centre:

- high-quality nylon 6, impact resistant
- colour black

Other features:

- KA version: with synthetic thread guard, small
- high chemical resistance to many aggressive substances, except oils
- operating temperature: -20 °C to +80 °C, temporarily up to +100 °C, reduced load capacity over +35 °C

Additional details:

- wheel series: page 63
- tread: page 53
- bearing types: page 84–85
- chemical resistance: page 51

Wheels	Wheel Ø	Wheel width	Load capacity	Bearing type	Axle bore Ø	Hub length
	(D) [mm]	(T2) [mm]			(d) [mm]	(T1) [mm]
POEV 161/20R	160	40	320	roller bearing	20	60
POEV 161/12KA	160	40	320	ball bearing (C)	12	62
POEV 161/20KA	160	40	320	ball bearing (C)	20	60
POEV 160/20R	160	50	400	roller bearing	20	60
POEV 160/12KA	160	50	400	ball bearing (CC)	12	62
POEV 160/20K	160	50	400	ball bearing	20	60
POEV 201/20R	200	40	400	roller bearing	20	60
POEV 201/12KA	200	40	400	ball bearing (C)	12	62
POEV 201/20KA	200	40	400	ball bearing (C)	20	60
POEV 200/20R	200	50	500	roller bearing	20	60
POEV 200/12KA	200	50	500	ball bearing (CC)	12	62
POEV 200/20K	200	50	500	ball bearing	20	60
POEV 200/25K	200	50	500	ball bearing	25	60
POEV 250/25R	250	50	600	roller bearing	25	60
POEV 250/20K	250	50	600	ball bearing	20	60
POEV 250/25K	250	50	600	ball bearing	25	60
POEV 300/30K	300	60	650	ball bearing	30	70

Versions / options



	with non-marking grey tyre	with non-marking blue tyre	electrically conductive version, black tyre	with stainless steel roller bearing in the wheel hub	small thread guard with additional ball bearing seal	with stainless steel ball bearing and small thread guard
Technical description page	52	53	50	84	85	85
Product code suffix	-SG	-SB	-EL	-XR	-KAD	-XKA
Available for	wheel Ø 160–200, 250 mm (ball bearing versions)	wheel Ø 160x50, 200x50, 250 mm (ball bearing versions)	ball bearing versions upon request	all	all KA versions	all KA versions of version -SG, POEV 160/12KA and POEV 200/12KA