

## GTHN series, wheel Ø 75–200 mm

Heavy-duty drive wheels with hub keyway  
with Blickle Extrathane® polyurethane tread,  
with cast iron wheel centre



300–1,400 kg

**Tread and tyre hardness**

92 Shore A

**Smooth operation / floor preservation**

good

**Rolling resistance**

very good

**Wear resistance**

excellent



**Tread:**

- high-quality polyurethane elastomer Blickle Extrathane®, hardness 92 Shore A
- low rolling resistance
- high abrasion resistance
- high cut and tear propagation resistance
- colour light brown, non-marking, non-staining
- excellent chemical connection with the wheel centre

**Wheel centre:**

- rugged grey cast iron
- axle bore and hub keyway in accordance with DIN 6885
- lacquered, colour silver

**Other features:**

- high chemical resistance to many aggressive substances
- operating temperature: -30 °C to +70 °C, temporarily up to +90 °C, reduced load capacity over +40 °C

**Additional details:**

- wheel series: page 75
- tread: page 55
- chemical resistance: page 51

Wheels	Wheel Ø (D) [mm]	Wheel width (T2) [mm]	Load capacity at 4 km/h [kg]	Load capacity at 10 km/h [kg]	Axle bore Ø (d) [mm]	Hub keyway width (B) [mm]	Hub keyway height (H) [mm]	Hub length (T1) [mm]
GTHN 75/20H7	75	40	300	–	20 H7	6 JS9	22.8	40
GTHN 100/20H7	100	40	400	–	20 H7	6 JS9	22.8	40
GTHN 100/25H7	100	40	400	–	25 H7	8 JS9	28.3	40
GTHN 125/20H7	125	40	450	–	20 H7	8 JS9	22.8	40
GTHN 125/25H7	125	40	450	–	25 H7	8 JS9	28.3	40
GTHN 127/25H7	125	50	650	320	25 H7	8 JS9	28.3	60
GTHN 127/30H7	125	50	650	320	30 H7	8 JS9	33.3	60
GTHN 140/25H7	140	50	670	330	25 H7	8 JS9	28.3	60
GTHN 140/30H7	140	50	670	330	30 H7	8 JS9	33.3	60
GTHN 150/25H7	150	50	700	350	25 H7	8 JS9	28.3	60
GTHN 150/30H7	150	50	700	350	30 H7	8 JS9	33.3	60
GTHN 150/35H7	150	50	700	350	35 H7	10 JS9	38.3	60
GTHN 160/25H7	160	50	700	350	25 H7	8 JS9	28.3	60
GTHN 160/30H7	160	50	700	350	30 H7	8 JS9	33.3	60
GTHN 180/25H7	180	50	850	420	25 H7	8 JS9	28.3	60
GTHN 180/30H7	180	50	850	420	30 H7	8 JS9	33.3	60
GTHN 180/35H7	180	50	850	420	35 H7	10 JS9	38.3	60
GTHN 200/25H7	200	50	900	450	25 H7	8 JS9	28.3	60
GTHN 200/30H7	200	50	900	450	30 H7	8 JS9	33.3	60
GTHN 200/35H7	200	50	900	450	35 H7	10 JS9	38.3	60
GTHN 200/40H7	200	50	900	450	40 H7	12 JS9	43.3	60
GTHN 202/35H7	200	80	1,400	700	35 H7	10 JS9	38.3	80
GTHN 202/40H7	200	80	1,400	700	40 H7	12 JS9	43.3	80
GTHN 202/50H7	200	80	1,400	700	50 H7	14 JS9	53.8	80

For other dimensions, please refer to the next page

### Versions / options

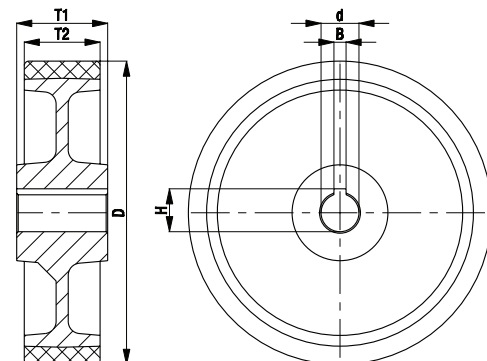


antistatic version,  
non-marking grey

Technical description page 50

Product code suffix **-AS**

Available for upon request



## GTHN series, wheel Ø 250–1,000 mm

Heavy-duty drive wheels with hub keyway with Blickle Extrathane® polyurethane tread, with cast iron wheel centre

1,100–25,000 kg

### Tread and tyre hardness

92 Shore A

### Smooth operation / floor preservation

good

### Rolling resistance

very good

### Wear resistance

excellent



### Tread:

- high-quality polyurethane elastomer Blickle Extrathane®, hardness 92 Shore A
- low rolling resistance
- high abrasion resistance
- high cut and tear propagation resistance
- colour light brown, non-marking, non-staining
- excellent chemical connection with the wheel centre

### Wheel centre:

- rugged grey cast iron
- axle bore and hub keyway in accordance with DIN 6885
- lacquered, colour silver

### Other features:

- high chemical resistance to many aggressive substances
- operating temperature: -30 °C to +70 °C, temporarily up to +90 °C, reduced load capacity over +40 °C

### Additional details:

- wheel series: page 75
- tread: page 55
- chemical resistance: page 51

Wheels	Wheel Ø (D) [mm]	Wheel width (T2) [mm]	Load capacity at 4 km/h [kg]	Load capacity at 10 km/h [kg]	Axle bore Ø (d) [mm]	Hub keyway width (B) [mm]	Hub keyway height (H) [mm]	Hub length (T1) [mm]
GTHN 251/30H7	250	50	1,100	550	30 H7	8 JS9	33.3	60
GTHN 251/40H7	250	50	1,100	550	40 H7	12 JS9	43.3	60
GTHN 252/40H7	250	80	1,800	900	40 H7	12 JS9	43.3	80
GTHN 252/50H7	250	80	1,800	900	50 H7	14 JS9	53.8	80
GTHN 253/40H7	250	100	2,300	1,150	40 H7	12 JS9	43.3	100
GTHN 253/50H7	250	100	2,300	1,150	50 H7	14 JS9	53.8	100
GTHN 300/40H7	300	60	1,500	750	40 H7	12 JS9	43.3	60
GTHN 300/50H7	300	60	1,500	750	50 H7	14 JS9	53.8	60
GTHN 302/40H7	300	80	2,100	1,050	40 H7	12 JS9	43.3	80
GTHN 302/50H7	300	80	2,100	1,050	50 H7	14 JS9	53.8	80
GTHN 304/40H7	300	100	2,700	1,350	40 H7	12 JS9	43.3	100
GTHN 304/50H7	300	100	2,700	1,350	50 H7	14 JS9	53.8	100
GTHN 304/60H7	300	100	2,700	1,350	60 H7	18 JS9	64.4	100
GTHN 362/40H7	360	75	2,200	1,100	40 H7	12 JS9	43.3	75
GTHN 362/50H7	360	75	2,200	1,100	50 H7	14 JS9	53.8	75
GTHN 362/60H7	360	75	2,200	1,100	60 H7	18 JS9	64.4	75
GTHN 402/50H7	400	80	2,800	1,400	50 H7	14 JS9	53.8	80
GTHN 402/60H7	400	80	2,800	1,400	60 H7	18 JS9	64.4	80
GTHN 404/60H7	400	100	3,400	1,700	60 H7	18 JS9	64.4	100
GTHN 404/70H7	400	100	3,400	1,700	70 H7	20 JS9	74.9	100
GTHN 406/70H7	400	125	4,500	2,250	70 H7	20 JS9	74.9	125
GTHN 406/80H7	400	125	4,500	2,250	80 H7	22 JS9	85.4	125
GTHN 500/80H7	500	100	4,500	2,250	80 H7	22 JS9	85.4	100
GTHN 504/100H7	500	150	6,700	3,350	100 H7	28 JS9	106.4	150
GTHN 506/120H7	500	200	9,000	4,500	120 H7	32 JS9	127.4	200
GTHN 602/120H7	600	150	8,000	4,000	120 H7	32 JS9	127.4	150
GTHN 604/120H7	600	200	10,000	5,000	120 H7	32 JS9	127.4	200
GTHN 750/150H7	750	200	12,500	6,250	150 H7	36 JS9	158.4	200
GTHN 1000/250H7	1,000	300	25,000	12,500	250 H7	56 JS9	262.4	300

## Versions / options



antistatic version,  
non-marking grey

Technical description page 50

Product code suffix **-AS**

Available for upon request

