

## V series, wheel Ø 80–200 mm

**Wheels with standard solid rubber tyre,  
with pressed steel rim,  
reinforced version**

50–300 kg

### Tread and tyre hardness

80 Shore A

### Smooth operation / floor preservation

very good

### Rolling resistance

satisfactory

### Wear resistance

sufficient



3

### Tyre:

- standard solid rubber, hardness 80 Shore A
- very good operational comfort
- very good floor preservation, low-noise operation
- colour black

### Rim:

- pressed steel
- strong rim structure with tubular steel hub, bolted or pressed
- zinc-plated, blue-passivated, Cr6-free

### Other features:

- chemical resistance to many aggressive substances, except oils
- operating temperature: -20 °C to +80 °C, reduced load capacity over +60 °C

### Additional details:

- wheel series: page 62
- tread: page 52
- bearing types: page 84–85
- chemical resistance: page 51

Wheels	Wheel Ø (D) [mm]	Tyre width (T2) [mm]	Load capacity [kg]	Bearing type	Axle bore Ø (d) [mm]	Hub length (T1) [mm]
V 80/12R	80	25	50	roller bearing	12	35
V 100/15R	100	30	70	roller bearing	15	45
V 125/15R	125	37.5	100	roller bearing	15	45
V 140/15R	140	37.5	115	roller bearing	15	45
V 162/20G	160	40	135	plain bore	20	60
V 162/20R	160	40	135	roller bearing	20	60
V 182/20G	180	50	170	plain bore	20	60
V 182/20R	180	50	170	roller bearing	20	60
V 184/20-50K *	180	80	300	ball bearing	20	50
V 202/20G	200	50	205	plain bore	20	60
V 202/20R	200	50	205	roller bearing	20	60
V 202/25R	200	50	205	roller bearing	25	60
V 200/20K *	200	50	205	ball bearing	20	60
V 205/20R	200	65	225	roller bearing	20	60

\* Bolted version

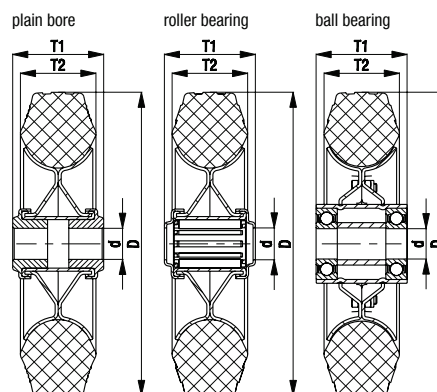
For other wheel Ø, see next page

## Versions / options



image	with non-marking grey tyre	electrically conductive version, black tyre
V 184/20-50K		
Technical description page	52	50
Product code suffix	-SG	-EL
Available for	wheel Ø 80–180x50, 200x50 mm**	wheel Ø 80–180x50, 200x50 mm**

\*\* Only for roller bearings and ball bearings



## V series, wheel Ø 250–400 mm

**Wheels with standard solid rubber tyre,  
with pressed steel rim,  
reinforced version**

295–800 kg

**Tread and tyre hardness**

80 Shore A

**Smooth operation / floor preservation**

very good

**Rolling resistance**

satisfactory

**Wear resistance**

sufficient



3

**Tyre:**

- standard solid rubber, hardness 80 Shore A
- very good operational comfort
- very good floor preservation, low-noise operation
- colour black

**Rim:**

- pressed steel
- strong rim structure with tubular steel hub, bolted or pressed
- zinc-plated, blue-passivated, Cr6-free

**Other features:**

- chemical resistance to many aggressive substances, except oils
- operating temperature: -20 °C to +80 °C, reduced load capacity over +60 °C

**Additional details:**

- wheel series: page 62
- tread: page 52
- bearing types: page 84–85
- chemical resistance: page 51

Wheels	Wheel Ø	Tyre width	Load capacity	Bearing type	Axle bore Ø	Hub length
	(D) [mm]	(T2) [mm]	[kg]		(d) [mm]	(T1) [mm]
V 252/20G *	250	60	295	plain bore	20	65
V 252/25G *	250	60	295	plain bore	25	65
V 252/25R *	250	60	295	roller bearing	25	65
V 250/25K	250	60	295	ball bearing	25	65
V 254/25-65R	250	75	320	roller bearing	25	65
V 256/20-75K	250	85	350	ball bearing	20	75
V 256/25-75K	250	85	350	ball bearing	25	75
V 265/25-75G	265	64	800 **	plain bore	25	75
V 282/25R *	280	70	385	roller bearing	25	75
V 302/30-55G	300	60	700 **	plain bore	30	55
V 302/25-50R	300	60	300	roller bearing	25	50
V 302/25-75R	300	60	300	roller bearing	25	75
V 350/25-80R	350	70	300	roller bearing	25	80
V 350/25-75K	350	70	300	ball bearing	25	75
V 400/25-90G	400	75	300	plain bore	25	90
V 400/25-75R	400	75	300	roller bearing	25	75
V 400/25-90R	400	75	300	roller bearing	25	90
V 400/30-90R	400	75	300	roller bearing	30	90
V 402/25-90R	400	80	475	roller bearing	25	90
V 402/30-90K	400	80	475	ball bearing	30	90

\* Centrally-pressed version

\*\* Support load

### Versions / options



	with non-marking grey tyre	electrically conductive version, black tyre
Technical description page	52	50
<b>Product code suffix</b>	<b>-SG</b>	<b>-EL</b>
Available for	wheel Ø 250x60 mm***	wheel Ø 250x60 mm***

\*\*\* Only for roller bearings and ball bearings

