

GBN series, wheel Ø 100–250 mm

Heavy-duty drive wheels with hub keyway with Blickle Besthane® polyurethane tread, with cast iron wheel centre



400–2,300 kg

Tread and tyre hardness
 92 Shore A

Smooth operation / floor preservation
 good

Rolling resistance
 excellent

Wear resistance
 excellent



Tread:

- high-quality polyurethane elastomer Blickle Besthane®, hardness 92 Shore A
- very low rolling resistance
- **high dynamic load capacity**
- high abrasion resistance
- high cut and tear propagation resistance
- colour brown, non-marking, non-staining
- excellent chemical connection with the wheel centre

Wheel centre:

- rugged grey cast iron
- axle bore and hub keyway in accordance with DIN 6885
- lacquered, colour silver

Other features:

- high chemical resistance to many aggressive substances
- operating temperature: -30 °C to +70 °C, temporarily up to +90 °C, reduced load capacity over +40 °C

Additional details:

- wheel series: page 76
- tread: page 56
- chemical resistance: page 51

Wheels	Wheel Ø (D) [mm]	Wheel width (T2) [mm]	Load capacity at 4 km/h [kg]	Load capacity at 10 km/h [kg]	Load capacity at 16 km/h [kg]	Axle bore Ø (d) [mm]	Hub keyway width (B) [mm]	Hub keyway height (H) [mm]	Hub length (T1) [mm]
GBN 100/20H7	100	40	400	–	–	20 H7	6 JS9	22.8	40
GBN 100/25H7	100	40	400	–	–	25 H7	8 JS9	28.3	40
GBN 101/25H7	100	50	500	–	–	25 H7	8 JS9	28.3	60
GBN 127/25H7	125	50	650	450	260	25 H7	8 JS9	28.3	60
GBN 127/30H7	125	50	650	450	260	30 H7	8 JS9	33.3	60
GBN 150/25H7	150	50	700	490	280	25 H7	8 JS9	28.3	60
GBN 150/30H7	150	50	700	490	280	30 H7	8 JS9	33.3	60
GBN 150/35H7	150	50	700	490	280	35 H7	10 JS9	38.3	60
GBN 160/25H7	160	50	700	490	280	25 H7	8 JS9	28.3	60
GBN 160/30H7	160	50	700	490	280	30 H7	8 JS9	33.3	60
GBN 200/25H7	200	50	900	630	360	25 H7	8 JS9	28.3	60
GBN 200/30H7	200	50	900	630	360	30 H7	8 JS9	33.3	60
GBN 200/35H7	200	50	900	630	360	35 H7	10 JS9	38.3	60
GBN 200/40H7	200	50	900	630	360	40 H7	12 JS9	43.3	60
GBN 202/35H7	200	80	1,400	980	560	35 H7	10 JS9	38.3	80
GBN 202/40H7	200	80	1,400	980	560	40 H7	12 JS9	43.3	80
GBN 202/50H7	200	80	1,400	980	560	50 H7	14 JS9	53.8	80
GBN 252/40H7	250	80	1,800	1,250	650	40 H7	12 JS9	43.3	80
GBN 252/50H7	250	80	1,800	1,250	720	50 H7	14 JS9	53.8	80
GBN 253/40H7	250	100	2,300	1,600	920	40 H7	12 JS9	43.3	100
GBN 253/50H7	250	100	2,300	1,600	920	50 H7	14 JS9	53.8	100

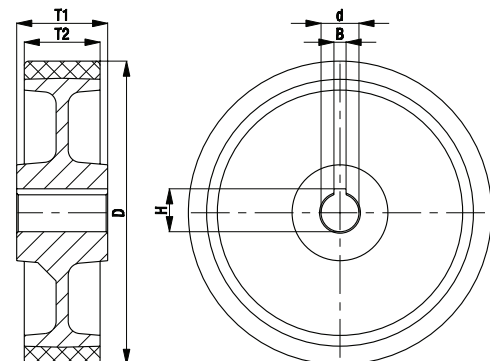
Greatly increased load capacity is possible for applications without obstacles.
For other dimensions, please refer to the next page

Versions / options



electrically conductive version, non-marking

Technical description page	50
Product code suffix	-ELS
Available for	up to wheel Ø 250 mm upon request



GBN series, wheel Ø 300–1,000 mm

Heavy-duty drive wheels with hub keyway with Blickle Besthane® polyurethane tread, with cast iron wheel centre

2,100–25,000 kg

Tread and tyre hardness

92 Shore A

Smooth operation / floor preservation

good

Rolling resistance

excellent

Wear resistance

excellent



Tread:

- high-quality polyurethane elastomer Blickle Besthane®, hardness 92 Shore A
- very low rolling resistance
- **high dynamic load capacity**
- high abrasion resistance
- high cut and tear propagation resistance
- colour brown, non-marking, non-staining
- excellent chemical connection with the wheel centre

Wheel centre:

- rugged grey cast iron
- axle bore and hub keyway in accordance with DIN 6885
- lacquered, colour silver

Other features:

- high chemical resistance to many aggressive substances
- operating temperature: -30 °C to +70 °C, temporarily up to +90 °C, reduced load capacity over +40 °C

Additional details:

- wheel series: page 76
- tread: page 56
- chemical resistance: page 51

Wheels	Wheel Ø (D) [mm]	Wheel width (T2) [mm]	Load capacity at 4 km/h [kg]	Load capacity at 10 km/h [kg]	Load capacity at 16 km/h [kg]	Axle bore Ø (d) [mm]	Hub keyway width (B) [mm]	Hub keyway height (H) [mm]	Hub length (T1) [mm]
GBN 302/40H7	300	80	2,100	1,450	840	40 H7	12 JS9	43.3	80
GBN 302/50H7	300	80	2,100	1,450	840	50 H7	14 JS9	53.8	80
GBN 304/40H7	300	100	2,700	1,850	1,050	40 H7	12 JS9	43.3	100
GBN 304/50H7	300	100	2,700	1,850	1,050	50 H7	14 JS9	53.8	100
GBN 304/60H7	300	100	2,700	1,850	1,050	60 H7	18 JS9	64.4	100
GBN 362/40H7	360	75	2,200	1,500	880	40 H7	12 JS9	43.3	75
GBN 362/50H7	360	75	2,200	1,500	880	50 H7	14 JS9	53.8	75
GBN 362/60H7	360	75	2,200	1,500	880	60 H7	18 JS9	64.4	75
GBN 363/70H7	360	100	3,200	2,200	1,250	70 H7	20 JS9	74.9	100
GBN 404/60H7	400	100	3,400	2,300	1,350	60 H7	18 JS9	64.4	100
GBN 404/70H7	400	100	3,400	2,380	1,360	70 H7	20 JS9	74.9	100
GBN 406/70H7	400	125	4,500	3,150	1,800	70 H7	20 JS9	74.9	125
GBN 406/80H7	400	125	4,500	3,150	1,800	80 H7	22 JS9	85.4	125
GBN 408/80H7	400	150	5,100	3,550	2,000	80 H7	22 JS9	85.4	150
GBN 500/80H7	500	100	4,500	3,150	1,800	80 H7	22 JS9	85.4	100
GBN 504/100H7	500	150	6,700	4,700	2,650	100 H7	28 JS9	106.4	150
GBN 506/120H7	500	200	9,000	6,300	3,600	120 H7	32 JS9	127.4	200
GBN 602/120H7	600	150	8,000	5,600	3,200	120 H7	32 JS9	127.4	150
GBN 604/120H7	600	200	10,000	7,000	4,000	120 H7	32 JS9	127.4	200
GBN 750/150H7	750	200	12,500	8,750	5,000	150 H7	56 JS9	158.4	200
GBN 1000/250H7	1,000	300	25,000	17,500	10,000	250 H7	14 JS9	262.4	300

Greatly increased load capacity is possible for applications without obstacles.
Other dimensions available upon request

Versions / options



electrically conductive version, non-marking

Technical description page	50
Product code suffix	-ELS
Available for	up to wheel Ø 300 mm upon request

