



# EPL1531

## Porta-Paletes Eléctrico 1.5T

- Melhorado novo plug-in&out bateria Li-Ion;
- Bateria lithium smart;
- Novo design do guiador;
- Cumpre testes de segurança e fiabilidade.

**RODALGÉS, LDA.**

[www.rodalges.pt](http://www.rodalges.pt) | [comercial@rodalges.pt](mailto:comercial@rodalges.pt) | T.243 611 040



## DESTAQUES

### ■ Bateria Li-Ion com novo plug-in&out

Melhorado o novo plug-in&out que substitui o anterior.



### ■ Bateria Lithium Smart

EPL1531 inclui standard uma bateria li-ion plug&play 24V/20Ah e um carregador externo para lidar com diferentes necessidades de turnos.



### ■ Novo Design do Guiador

A elevação é elétrica e a descida manual, assegurando o controlo e minimizando a preocupação com o dano de bens na descida.



### ■ Superou Testes de Segurança e Fiabilidade

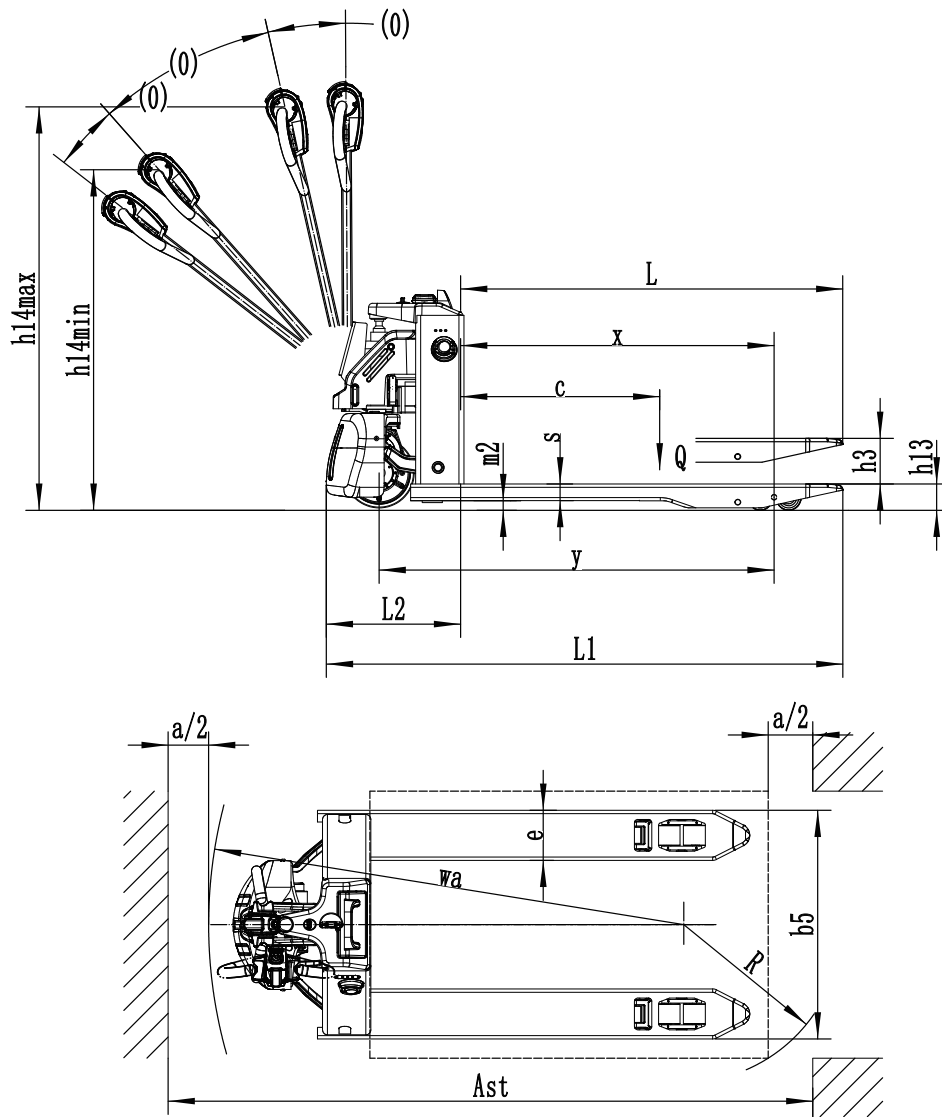
Componentes testados no mercado por 10 anos.



# Porta-Paletes Eléctrico 1.5T EPL1531

Distinguishing mark				
1.1	Manufacturer			EP
1.2	Model designation			EPL1531
1.3	Drive unit			Battery
1.4	Operator type			Pedestrian
1.5	rated capacity	Q	kg	1500
1.6	Load center distance	c	mm	600
1.8	Load distance	x	mm	950(880)
1.9	Wheelbase	y	mm	1190(1120)
Weight				
2.1	Service weight (include battery)		kg	120
2.2	Axle loading, laden driving side/loading side		kg	480/1140
2.3	Axle loading, unladen driving side/loading side		kg	90/30
Types,Chassis				
3.1	Tyre type driving wheels/loading wheels			PU/PU
3.2	Tyre size, driving wheels (diameterxwidth)		mm	Φ210x70
3.3	Tyre size, loading wheels (diameterxwidth)		mm	Φ80x60( Φ74x88)
3.4	Tyre size, caster wheels (diameterxwidth)		mm	/
3.5	Wheels, number driving, caster/loading (x=drive wheels)		mm	1x, 4(1x, 2)
3.6	Track width, front,driving side	b10	mm	/
3.7	Track width,rear,loading side	b11	mm	410/(535)
Dimensions				
4.4	Lift height	h3	mm	115
4.9	Height drawbar in driving position min./max.	h14	mm	750/1190
4.15	Lowered height	h13	mm	80
4.19	Overall length	l1	mm	1540
4.20	Length to face of forks	l2	mm	400
4.21	Overall width	b1	mm	560(685)
4.22	Fork dimensions	s/ e/ l	mm	50x150x1150
4.25	Distance between fork-arms	b5	mm	560(685)
4.32	Ground clearance, center of wheelbase	m2	mm	30
4.34.1	Aisle width for pallets 1000 x 1200 crossways	Ast	mm	2145
4.34.2	Aisle width for pallets 800 x 1200 lengthways	Ást	mm	2050
4.35	Turning radius	Wa	mm	1330
Performance data				
5.1	Travel speed, laden/ unladen	km/ h	km/h	4.5/5
5.2	Lifting speed, laden/ unladen		m/ s	0.017/0.020
5.3	Lowering speed, laden/ unladen		m/ s	0.09/0.06
5.8	Max. gradeability, laden/unladen		%	6\16
5.10	Service brake type			electric
Electric-engine				
6.1	Drive motor rating S2 60 min		kW	0.75
6.2	Lift motor rating at S3 15%		kW	0.7
6.3	The maximum allowed size battery		mm	200x100x350
6.4	Battery voltage/nominal capacity K5		V/Ah	24/20
6.5	Battery weight		kg	7
Addition data				
8.1	Type of drive control			DC
10.5	Steering type			mechanical
10.7	Sound pressure level at the driver's ear		dB (A)	<74

If there are improvements of technical parameters or configurations, no further notice will be given.  
The diagram shown may contain non-standard configurations.



## Opcionais:

Optional items		EPL1531
1	Fork length	900/1000/1220/1350/1500
2	Fork width	560/685
8	Double load wheel	●
9	Single load wheel	○
10	Driving wheel	-
11	Balance wheel	-
15	cold storage	-
17	Battery indicator with hour meter	-
18	Battery indicator without hour meter	-
19	Battery capacity	24V/20Ah
20	Lateral change battery	-
22	Water auto-filling system	-
25	Vertical handler working	●
31	half speed function in turning	-
32	Guard arm	-
33	Fork lowered height	-
34	Special backrest	-

Note: ●Standard ○Matching —No